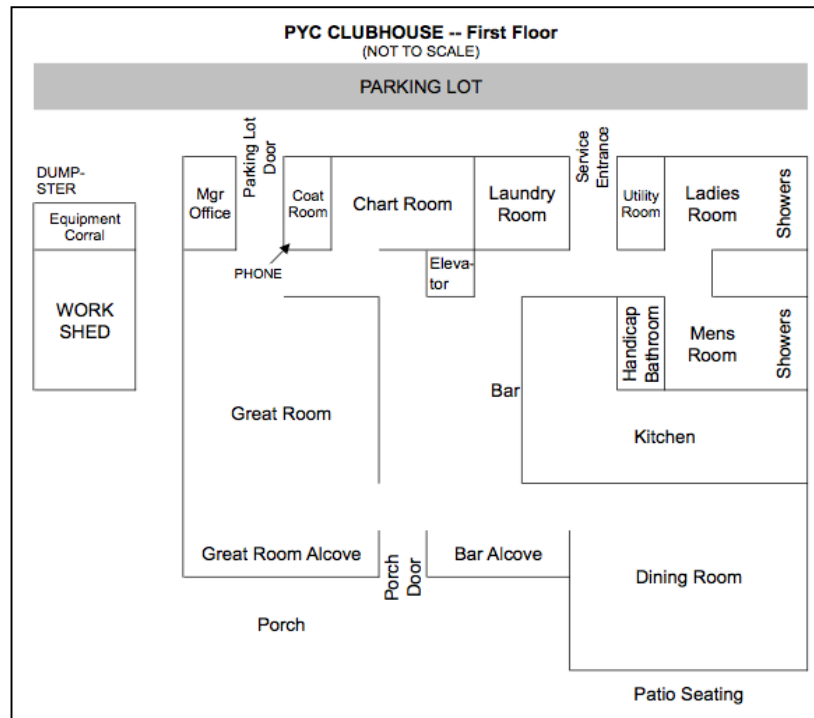


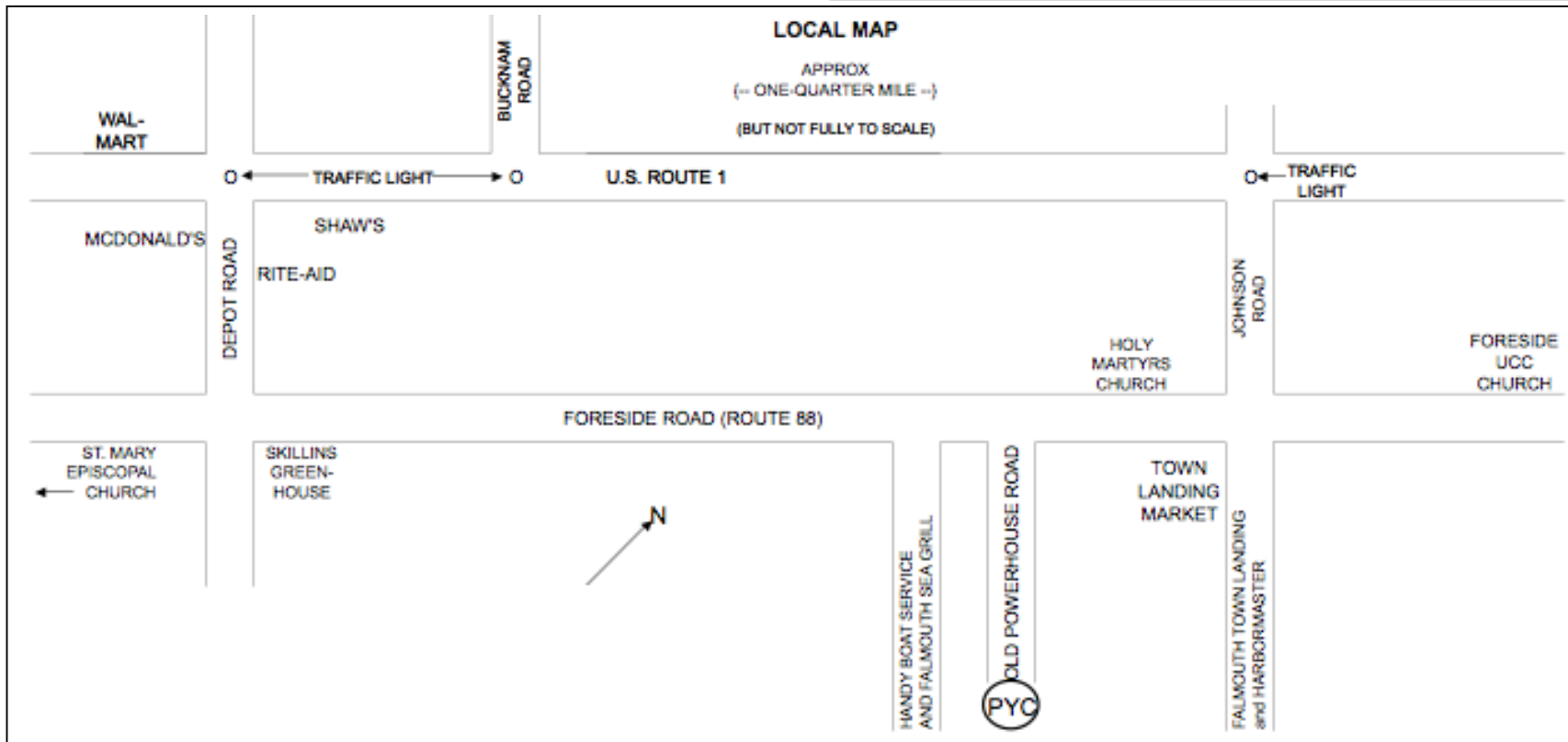
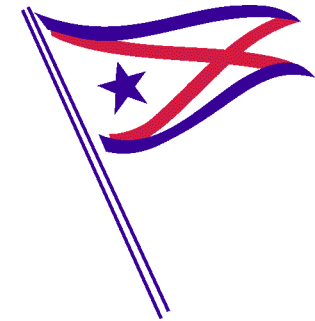
## DRIVING DIRECTIONS

From the Maine Turnpike: Take Exit 52. After the tolls, follow signs to Route 1 North. You will join Route 1 just north of Bucknam Road (see map below). At the traffic light (Johnson Road), turn right. At the next stop sign, turn right onto Foreside Road. Turn left at the PYC sign onto Old Powerhouse Road.

From I-295: Take the Falmouth Exit. Turn left onto Bucknam Road (see map below). Turn left onto Route 1 North. At the traffic light (Johnson Road), turn right. At the next stop sign, turn right onto Foreside Road. Turn left at the PYC sign onto Old Powerhouse Road.



# WELCOME TO THE PORTLAND YACHT CLUB



**40 Old Powerhouse Road**  
**Falmouth, ME 04105**  
**207-781-9820**  
[www.portlandyachtclub.com](http://www.portlandyachtclub.com)

## VISITOR INFORMATION 2012

### WATERFRONT

#### LAUNCH SERVICE

Hours are generally 8:00 AM to 9:00 PM from Memorial Day to Labor Day, and to 10:00 PM on Fridays and Saturdays during July and August. (Check with Waterfront Staff for closing times after Labor Day.) PYC monitors VHF Channel 68 and will also respond to 3 horn blasts.

#### FLOATS

Ice, water, electricity and luggage carts are available. Tie up time is 30 minutes during busy periods. No overnight tie-up is allowed.

#### DINGHY FLOAT

The Dinghy Float is the first of two that run perpendicular to the main floats. Temporary tie-up is permitted on the land side of the dinghy dock. Visitors must have permission from the Waterfront staff to tie up overnight or longer.

#### FUEL AND REPAIRS

Handy Boat, just to the south of PYC, is a full-service marina, including fuel and repairs. Contact Handy on Ch. 9 or 207-781-5110.

#### PUMP-OUT

Pump-out facilities are available at the Town Landing Dock (northeast of PYC) and Handy Boat.

### PARKING

Visitor parking at PYC is limited by the size of the lot and the need to provide sufficient spaces for members. See the Club Manager or the Manager on duty to determine whether guest parking is available and, if it is, to obtain a guest pass.

### FACILITIES AND SERVICES

The Clubhouse is open 7 days a week from 8:00 AM to approximately 10:00 PM (earlier close after Labor Day). Smoking is not permitted anywhere on PYC property.

#### SHOWERS

Two in each Rest Room.

#### LAUNDRY

A coin laundry resides inside the Service Door (see floor plan on next page). If you need quarters, see the Manager on duty.

#### TELEPHONE

Inside the Coat Room near the Parking Lot Door.

#### TRASH, CANS AND BOTTLES

Place all trash in the left-hand dumpster located on the land side of the shed. Containers for recycling cans and bottles are located in the “alley” between the shed and the Clubhouse.

#### WIFI

Wireless internet is available in the Clubhouse. In your wireless connection window, click on “PYC.” Scroll to the bottom of the window and click on “Free Connection.”

#### TRANSPORTATION

Yarmouth Taxi      207-846-9336  
Town Taxi            207-773-1711

#### RELIGIOUS SERVICES WITHIN WALKING DISTANCE

Foreside Community Church (UCC) – top of hill, right .5 miles. Sunday 9:30 AM worship service.

Holy Martyrs Catholic Church – top of hill, turn right  
Masses: Saturday 4:00 PM, Sunday 10:30 AM, 5:30 PM

St. Mary the Virgin Episcopal Church – top of hill, left 1 mile. Holy Eucharist Sunday at 8:00 and 9:30 AM.

### FOOD & BEVERAGE

#### LUNCH

Tuesday - Friday, June 5 – Aug 31, 11:30 AM- 2:00 PM

#### DINNER

Tuesday - Saturday, May 22 – Sept. 17, 6:00 - 9:30 PM.

Thursday is Cook-Out Night

Sunday, May 27 – Aug. 26, 5:30 – 8:30 PM - light menu

Call 899-2863 for reservations.

Guests are asked to pay by VISA, Mastercard, or Discover.

#### BAR

PYC does not sell alcohol in any form. Our bar provides set-ups for your spirits, cooling for beer and wine, and soda. The bar is open during Lunch Hours and from 4:30 to Dining Room closing. Closed on days when the Dining Room is closed.

#### SOFT DRINKS

A soda/water vending machine is located outside the shed.

### PROVISIONS

Town Landing Market is within easy walking distance and carries light groceries, beer, wine, and snacks. Turn right at the top of the hill.

Shaw’s Supermarket (which houses a Post Office), Rite-Aid Pharmacy, and Walmart are on Route 1, approximately 1.5 miles from PYC. (See map on back pages.)

### CONTACTS

Emergency: 911

Coast Guard            207-799-1680

Harbormaster:        207-781-7317 or VHF Channel 16